

# Reading Scales to Measure in Liters and Milliliters

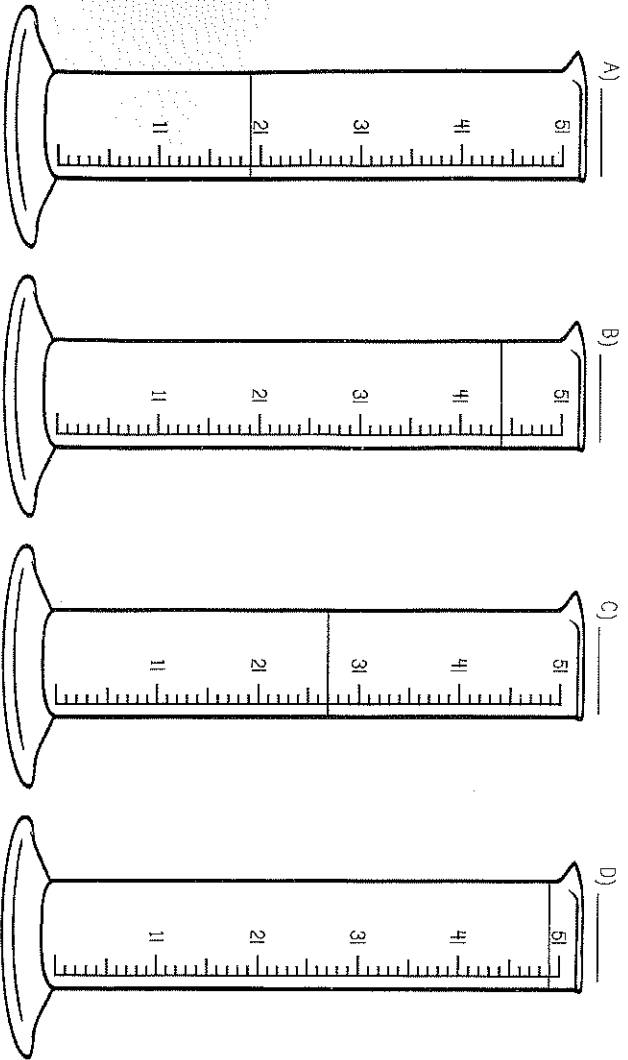
I can read scales to measure in liters and milliliters.

Write how much liquid is in each cylinder.

Cylinder 1:

Hint: There are 10 increments between 0 and 1l (1000ml).

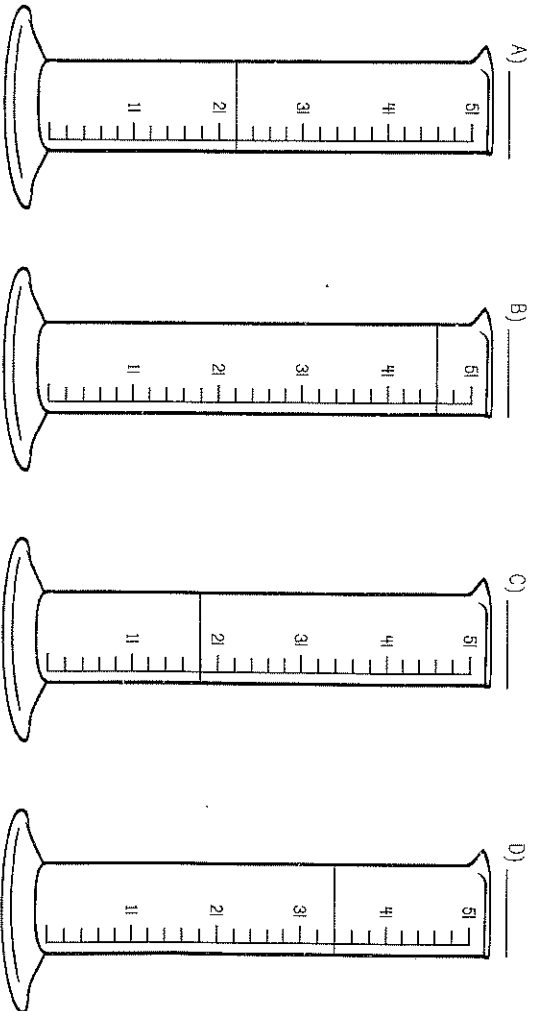
Each increment is worth  $1000\text{ml} \div 10 = \underline{\hspace{2cm}}$  ml.



Cylinder 2:

Hint: There are 5 increments between 0 and 1l (1000ml).

Each increment is worth  $1000\text{ml} \div 5 = \underline{\hspace{2cm}}$  ml.



Cylinder 3:

Hint: There are 4 increments between 0 and 1l (1000ml).

Each increment is worth  $1000\text{ml} \div 4 = \underline{\hspace{2cm}}$  ml.

