

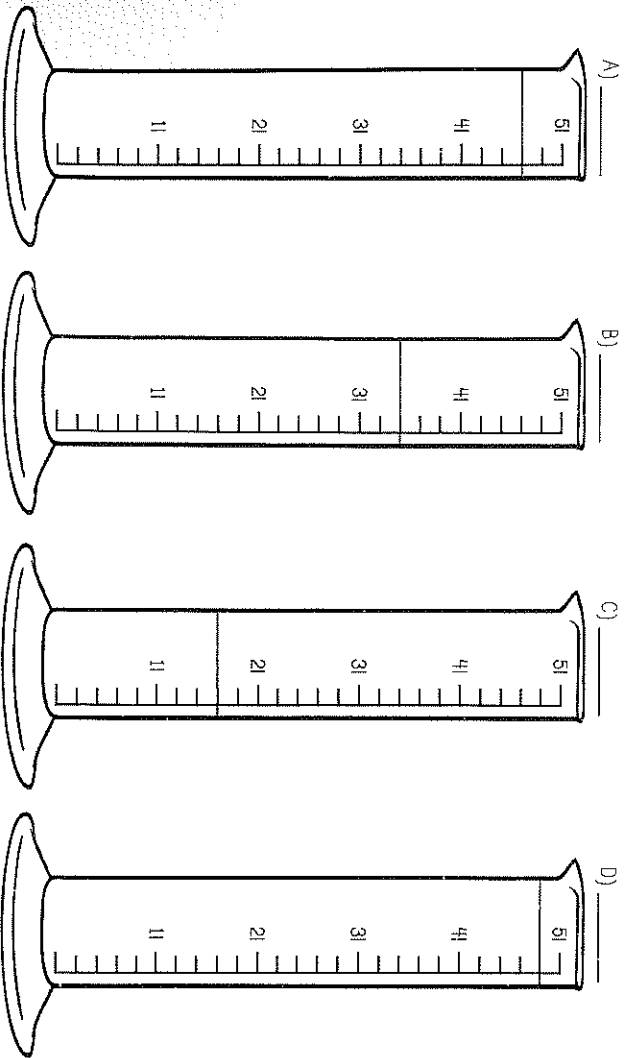
Reading Scales to Measure in Liters and Milliliters

I can read scales to measure in liters and milliliters.

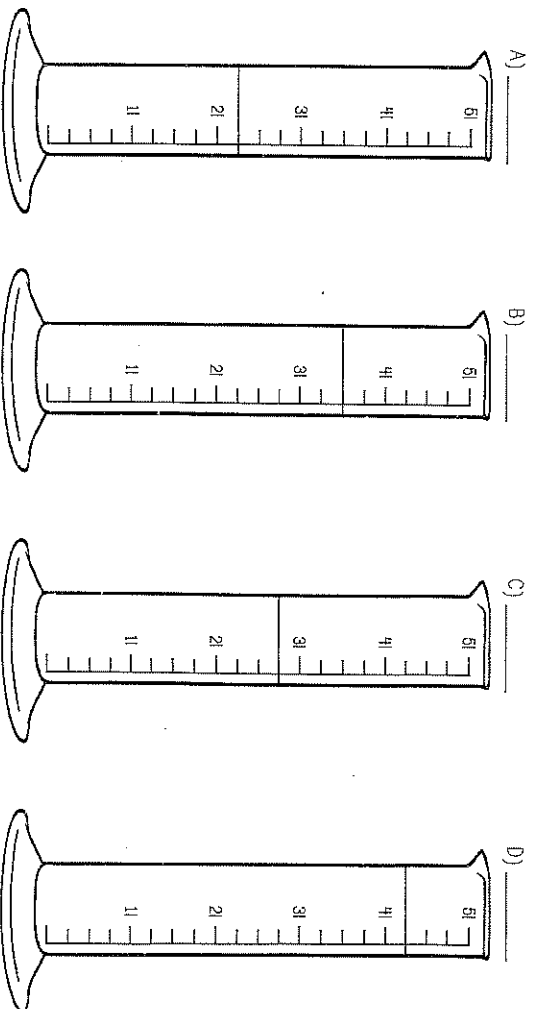
Write how much liquid is in each cylinder.

Cylinder 1:

Explain how you know what each increment is worth.



Cylinder 2:
Explain how you know what each increment is worth.



2) Fill each cylinder to the amount shown:

